



13/10/2009

**ALTUS 40 RTS RANGE 1 TECHNICAL DATA**

SDEV-CLU-IMPS 61R1

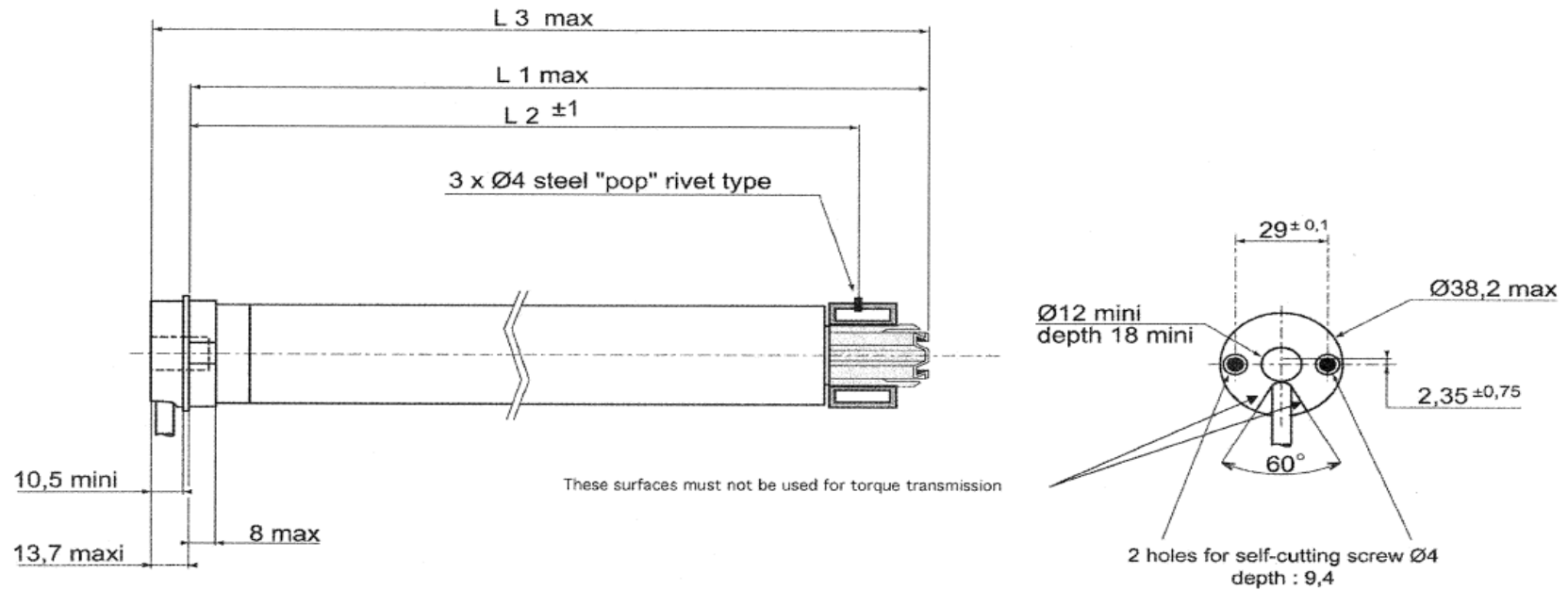
SDEV- FICA 46 R0

ALTUS 40 RTS Range 1

Nominal voltage	230 V - 50 Hz
Power supply tolerances	207 - 253V
Thermal time	4 minutes in accordance with EN 60335-2-97
Number of wires of the cable	2
Wire section	0,75 mm <sup>2</sup>
Insulation class	Class II
Type of limit switch unit	Electronic
Capacity of the LSU	Limited to 3 minutes of rotation without stop
Repeatability	± 4°
System of protection	IP 44
Interface drawings	Screw implantation for LS40 mounting 147897-Wheel interface LS40 147887-Crown interface LS40 147888-LS40& Altus 40 head interface drawing 147465.
Radio frequency	433,42 Mhz
Coding	Rolling code 16 million of possibilities
Capacity of memory	12 different codes plus 3 wireless sensors
Range	20 m with 2 reinforced concrete walls to be passed through
RE TTE (Radio equipment and telecommunications terminal equipment directive)	Dir 1999/5/CE
Safety Security	EN 60335-2-97
Electromagnetic compatibility	EN 301489-3
Radio	EN 300-220-3
Wheel unclipping force	≈ 7 Kg
Basic crown for tube Ø	40 x 1,5 mm
Temperature working range	Normal use : -10°C to +40° C    Exceptionnal use (20% of the life time not simultaneous) : -20°C to + 70°C
Noise level	According to SOMFY measures (for information only).Worse value : with load in up direction during 10 seconds.

Designation	Nm	rpm	mm	mm	mm	mm	W	A	°C	kg		Noise
	Nominal torque	Nominal speed	L1 max.	L2 (±3 mm)	L3 max.	tube	Rated power	Rated current	Thermal tripping	Brake type	Weight	
ALTUS 40 RTS 3/30	3	30	497	473	510	438	80	0,4	140	Sliding	1,08	52
ALTUS 40 RTS 4/14	4	14	457	433	470	398	<b>75</b>	0,35	140	Sliding	1,01	52
ALTUS 40 RTS 9/14	9	14	497	473	510	438	100	0,5	140	Sliding	1,18	54
ALTUS 40 RTS 13/8	13	8	497	473	510	438	95	0,5	140	Sliding	1,21	54

WIRING	Neutral Live	Blue Brown
--------	-----------------	---------------



Name Date	<b>R&amp;D</b>	<b>QUALITY</b>	<b>EDITOR</b>
	Y. DEBORNES	M. BOUUX	E. MEYNET